

# AT30 LED DOWNLIGHT



#### \* Product features:

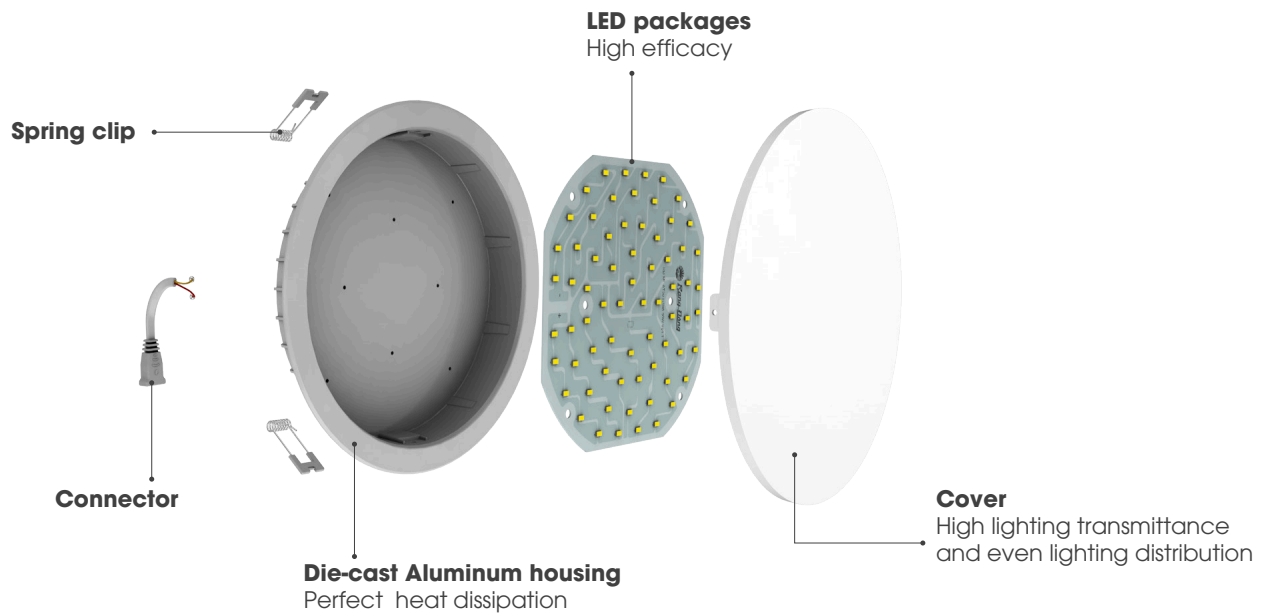
- High-quality LEDs provided by Samsung/ Seoul Semiconductor/ Nichia/ Lumiled with excellent performance
- High luminous efficacy up to 105 lm/W
- High CRI of 80/90/Sunlike for high color accuracy
- Die-cast aluminum housing with perfect heat dissipation
- PC cover with high lighting transmittance and desired lighting distribution
- Long lifespan: 30,000 hours, saving the maintenance cost
- CE, KC certified

#### \* Applications:

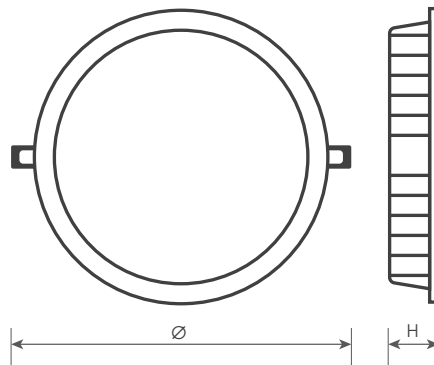
- Suitable for Home, office, restaurant, hotel, supermarket, commercial centers, showrooms, etc.



## PRODUCT DETAILS



## PRODUCT SPECIFICATIONS

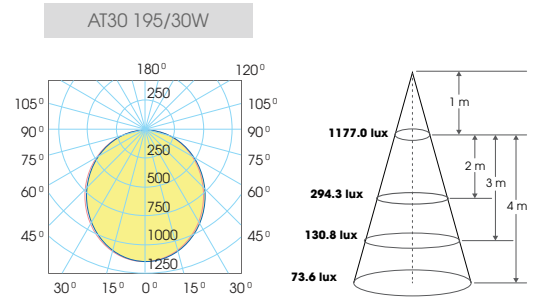
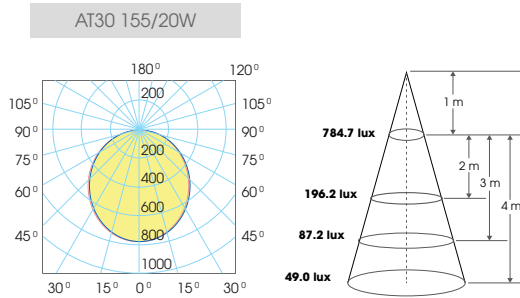


Model	Dimension ØxH (mm)	Power (W)	Voltage (V)	Power factor	Luminous flux (lm)	Luminous Efficacy (lm/W)	CCT (K)	CRI (Ra)	Cut out Øc (mm)	Life span (hrs)
AT30 155/20W	180x40	20	120/220÷240/100÷277	0.5/0.9	2100	105	3000/4000/5000/5700/6500	80	155	30,000
AT30 195/30W	220x45	30	120/220÷240/100÷277	0.5/0.9	3150	105	3000/4000/5000/5700/6500	80	195	30,000

**Capacity: 11.2 million pieces per year**

**Customizable:** Power (20W/30W), Voltage (120/220÷240/100÷277), PF (0.5/0.9), lm/W, CCT (3000/4000/5000,5700,6500K), CRI (80/90/Sunlike), Driver (isolated/Dim- Triac), lifespan, etc.

## LUMINOUS INTENSITY DISTRIBUTION



## PACKING AND TRANSPORTATION



Type of lamps	Quantity in master box (pcs)	Estimated quantity / 20'DC	Estimated quantity / 40'HC
AT30 155/20W	12	16,512	37,932
AT30 195/30W	12	11,628	26,688

Customizable according to customer's request



Exported markets: EU, South Korea, etc.



**RANG DONG LIGHT SOURCE AND VACUUM FLASK JOINT STOCK COMPANY**

Add: 87- 89 Ha Dinh Street, Thanh Xuan, Hanoi, Vietnam

Tel: (84-24) 3 858 4310 / 3 858 4165

Fax: (84-24) 3 858 5038

Email: [export@rangdong.com.vn](mailto:export@rangdong.com.vn)



Specifications are subject to change without prior notice